

**TAIDEN®**

*HSP-108 8-inch Two-way Loudspeaker*

*Excellent conferencing solutions*



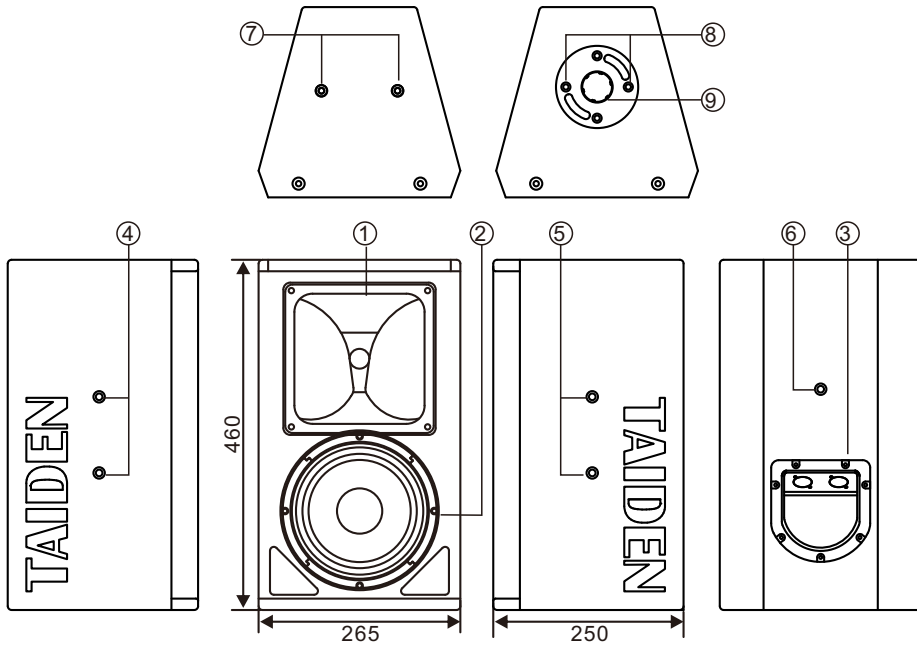
无源8英寸两分频扬声器

User's Manual

用户手册

V 1.1

## 尺寸和背面板 / Dimensions and back panel



1. 高音号角
2. 低音单元
3. 输入/并联接口 (2×Speakon)
- 4&5&6&7. 吊挂点 (7×M8)
- 7&8. HSP-108BKTU 支架连接点
9. 支撑杆插孔 (Ø35mm)

注：安装配件需另购

1. Treble horn
2. Woofer
3. Input/parallel interface (2×Speakon)
- 4&5&6&7. Hanging points (7×M8)
- 7&8. Points for HSP-108BKTU bracket
9. Rod socket (Ø35mm)

Note: Installation accessories need to be purchased separately

## 产品概述

配置了1×8"低音单元，以及1×2"高音压缩单元，由平面波导技术号角加载，实现水平覆盖50°~100°渐变，垂直覆盖60°，号角可旋转，使覆盖区域内声压以及频响更加均匀一致。

## 特点

复合碳纤维+纳米碳纤维振膜  
渐变式指向号角，可旋转

## 技术参数

频率响应.....70Hz-20kHz (±3dB)  
50Hz-25kHz (-10dB)

灵敏度.....96dB

标称阻抗.....8 Ohm

额定功率.....200W(AES)

低音单元.....1×8" 复合碳纤维振膜低音

高音单元.....1×2" 纳米碳纤维振膜高音

标称覆盖角.....50°-100°H 渐变 ×60°V 非对称  
可旋转号角

最大声压级.....119dB SPL, 125 dB SPL peak

输入接口.....2路Speakon

箱体材料.....桦木+黑色聚脲漆面

尺寸 (H×W×D) .....460×265×250(mm)

重量.....9.8kg

## Overview

It is composed of 1×8" woofer and 1×2" tweeter. Loaded by PWH-Planar Waveguide Horn technology, to achieve 50°~100° gradient horizontal coverage, 60° vertical coverage, rotatable horn, to make the sound pressure and frequency response more uniform in the coverage area.

## Features

Composite carbon fiber diaphragm + nano carbon fiber diaphragm  
Gradient pointing horn, rotatable

## Specifications

Frequency Range.....70Hz-20kHz (±3dB)  
50Hz-25kHz (-10dB)

Sensitivity.....96dB

Nominal Impedance.....8 Ohm

Rated Power.....200W (AES)

Woofer .....1×8" complex carbon fiber diaphragm woofer

Tweeter .....1×2" nano carbon fiber diaphragm tweeter

Coverage pattern.....50°-100° (H) gradient ×60° (V) asymmetric, rotatable horn

Max SPL.....119dB SPL, 125dB SPL peak

Input Interface.....2 x Speakon

Enclosure Material.....Birch + black polyurea finish

Dimensions (H × W × D).....460×265×250(mm)

Weight.....9.8kg